

Ultrasonic Humidifier
with Ionizer
CA-602



Instruction Manual



Thank you for purchasing the innovative **Clean Air Optima CA-602** ultrasonic humidifier with Ionizer.

We wish you many years of healthy indoor air with this efficient and effective product.

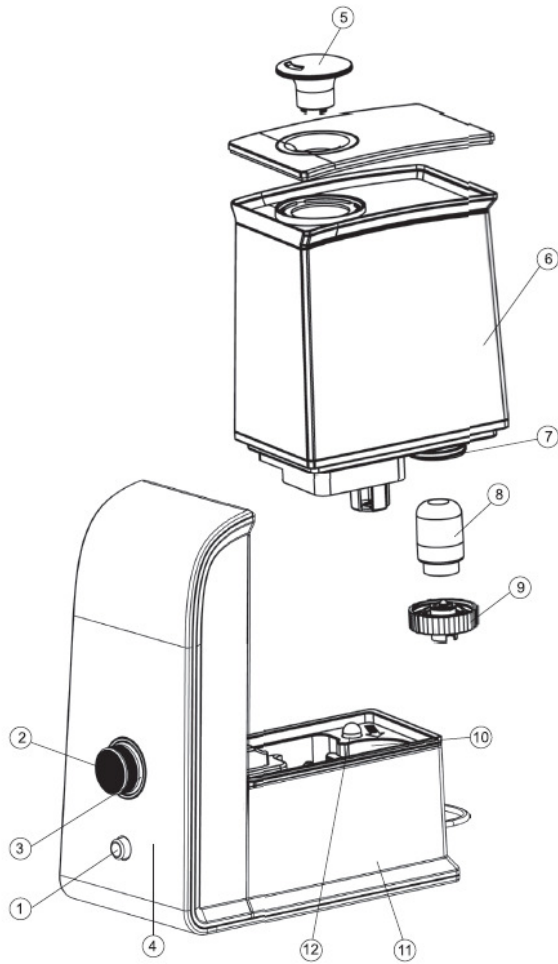
Ensure that all safety precautions are followed when using this electrical appliance for the proper operation of the device. These instructions describe the safety precautions to be observed during operation. They are designed to prevent injuries or damage to this device.

Safety Precautions

- The inner ultrasonic transducer is highly sensitive. Do not touch it with bare fingers or scrape it with metal tools, or it will reduce mist output. When cleaning this area please use a small cleaning brush, cotton swab or tooth brush. Do not use hot water as it may damage the misting parts.
- Use proper voltage - AC 110~120V 60Hz in Canada/USA; AC 220~240V 50Hz in Europe. Use of improper voltage may cause fire hazard or electric shock.
- To prevent electric shock, do not dismantle, repair or modify this product. Maintenance and cleaning should be followed exactly as instructed in this manual. In the event of a malfunction, please contact an authorized **Clean Air Optima** maintenance center.
- Do not use in areas where flammable or explosive materials are stored.
- Do not place this device in direct sunlight or near objects that generate high temperature heat. The heat may cause deformation or warping of the outer casing.
- Do not use the humidifier in a room that already has humidity levels above 50% relative humidity. Excessive humidity in the room gives rise to condensation on cold surfaces such as walls or windows.
- Do not operate the unit without water in the basin.
- Do not insert foreign objects into the device. Do not touch the transducer or the lower water basin when the unit is operating. Do not scratch the transducer. Do not touch the mist output when producing warm mist.
- Do not submerge this device in water. Water or cleaning liquids may only be used on parts to be cleaned according to the cleaning and maintenance instructions.
- Only use lime scale remover or vinegar to clean mineral deposits from the basin or transducer. Do not use any harsh detergents that may damage the unit.
- If you smell an abnormal odour, please turn off and unplug the unit and call **Clean Air Optima** technical support.
- Clean and dry the device before storage (including the removal of all water from the inside of the device). Store the machine in a cool and dry place outside the reach of children.
- Do not use fabrics or other materials to cover this device. Obstructed air inlets and outlets will result in improper operation of this unit and may result in fire or other damage.
- To prevent interference and damage to other electronic devices, this machine should be placed at least 1 meter away from a computer, television, radio or other electronic equipment.
- The ultrasonic humidifier should be cleaned regularly for proper operation and long life. See cleaning instructions.
- The high frequency vibrations cannot be heard by humans or animals, and are completely safe.
- For safety reasons and to prevent fire or electric shock, unplug the power cord from the electric outlet socket whenever you:
 - Do not use the device for a long period of time.
 - Remove the tank, clean or service the machine or the permanent filter.
 - Move or transport the device.

If the power cord is damaged, then it must be replaced by an authorized service person to prevent electric shock or fire.

Diagram humidifier CA-602



1. Ionizer On/Off - Led Light On/Off
2. Power On/Off - Rotary knob for mist adjustment
3. Led Light
4. Housing front
5. Direction nozzle for mist output
6. Water tank
7. Entrance for water filling
8. Permanent Ceramic / Nano-Silver Filter
9. Tank cover/Screw cap
10. Water basin
11. Housing right side
12. Led indication power on, light bleu / Water filling, light red

Aromatherapy

Important

In order to reach the best results and to enjoy your **CLEAN AIR OPTIMA ultrasonic air humidifier** as much as possible, we advise to read carefully the following instructions regarding the use of essential oils in the **ultrasonic air humidifier CA-602 by CLEAN AIR OPTIMA**.

Use of essential oils in the CLEAN AIR OPTIMA CA-602

Use our high quality essential oils and enjoy your personal aromatherapy! A scent sensation at its highest level!

You can find high quality essential oils with many different scents in our assortment. They perfectly fit to the **CLEAN AIR OPTIMA ultrasonic air humidifier CA-602 and have been specially developed for the use with this ultrasonic humidifier:**



| | |
|------------|------|
| Eucalyptus | 10ml |
| Vanilla | 10ml |
| Lavender | 10ml |
| Jasmine | 10ml |
| Lemon | 10ml |
| Rosemary | 10ml |

To order:

www.cleanairoptima.com

Effectiveness

Essential oils (also called volatile oils) stimulate our olfactory sense through their volatility and are perceived as aromatic. Essential oils naturally evaporate with time.

The **air humidifier CA-602 by Clean Air Optima works** according to the newest nebulisation technology based on ultrasound in order to atomise essential oils and water into microscopically small drops. Thanks to this technology the components and the water can unfold their beneficial potential for humans.

Filling and refilling with essential oils:



Remove at the upper side the hood with the spray orifice. Pour on the top 5 to 10 drops of your favorite essential oil Clean Air Optima in the lock opening of the humidifier. Refilling essential oil is very simple: just new drops in the lock opening in the machine. **Please ONLY use the high quality essential oils and compositions from the Clean Air Optima assortment.**

Warning!

The use of other essential oils not made for this air humidifier or other additives (for example pure essential oils, fragrances, water purification products) can damage the air humidifier and must NOT be used! Even a small quantity can damage the plastic and cause cracks. The material is not made for the use of additives. One drop is enough to damage the water tank/ basin and disable the device. Devices that are damaged through additives are excluded from the guarantee.

The **Clean Air Optima CA-602** is equipped with a **Permanent Reusable White Dust & Anti-Microbial Filter**. It consists of an inner cylinder, an outer cover and a number of small plastic and ceramic balls. The plastic balls are embedded with nano-silver, an anti-microbial agent designed to purify the water and destroy microbes such as bacteria and mould. The ceramic balls function to soften the water by adhering to minerals that cause white dust. They also serve to remove any unpleasant odour from the water. The filter requires cleaning about once a month or 1,000 hours of use. See the **Maintenance section** of more information.



Operating Instructions

Before getting started, please remove the **Clean Air Optima CA-602** from its box and allow it to become accustomed to the room temperature for at least 30 minutes especially if the machine is cold from the outside air. The CA-602 is designed to operate at temperatures between 5 -40 °C and relative humidity of less than 80%.

To get started, first remove the nozzle than flip the tank over and unscrew and remove the water tank lid and filter.

Then place the water tank under the faucet for filling. Fill the tank with tap water (or other clean water source with water temperature under 40°C), re-insert the lid and filter. Flip the water tank once again until it is on the right side up. Ensure that the basin is clean and then carefully place the water tank back on the lower body.

Wait a few seconds until the water tank lid starts to release water into the basin. You will hear a bubbling sound as the air enters the water tank. Plug the power cord into the electrical outlet (NEVER SWITCH ON THE HUMIDIFIER WITHOUT WATER IN THE BASIN).

Turn the „**Mist adjustment Knob**“ to the right to turn the humidifier on. The water will be turned into micro-fine steam through high frequency vibration, which will be dispensed into the indoor air and directly evaporates. Make sure that the steam does not face electrical sockets, walls or other objects.

Push the „**ION/Light**“ button to turn the Ionizer and Led light on. The air will be enriched with additional negative ions. The integrated ionizer cleans and refreshes the air with additional negative oxygen ions. The effect is completely natural: After a summer thunderstorm the air is filled with negative ions and especially fresh.

Amount of ions per cubic centimetre air:

In high altitude: 8000 ions /ccm
At sea level: 4000 ions / ccm
Countryside: 1200 ions / ccm
In the city: 2000 ions / ccm
In the office: Only 20 ions / ccm

In case there is no or too little water in the tank you will hear a signal.

Humidity

The percentage of water steam in a room and the temperature are the relative air humidity. The air contains more or less air humidity. The ration of water steam to the air varies with the different temperature. The higher the temperature in the room, the less water steam will be in the air. In winter the cold air from outside enters the room, the relative air humidity decreases. The air humidity can be increased with the Clean Air Optima air humidifiers.

The relative air humidity should be:

Bed and living room: 45 -60 %

Examination room: 40 – 50 %

Library: 40 – 50 %

Troubleshooting

The following is a troubling shooting guide to help you solve any issues that you may have with the operation of the **Clean Air Optima CA-602**.

| Trouble | Possible reasons | Solution |
|--|---|---|
| Power icon is off or does not work. | Humidifier not plugged into the power outlet. | Connect power cord to electrical outlet and turn rotary knob. |
| Power light is on but no mist. | No water in water tank. | Fill water tank with water. |
| The mist has a strange odour. | A new machine. | Remove the water tank, unscrew the lid and let it air out in a cool area for 12 hours. |
| | It either has dirty water or the water has been stagnant too long. | Clean the water tank and refill with clean water. |
| Power light is on, but the machine doesn't work. | Too much water in the water basin. | Remove the water tank. Take a small cup and remove some of the water from the machine's water basin. Reinsert the water tank and make sure that it sits properly. |
| The volume of spray mist is too low. | Too much mineral scale in the water basin. | Clean transducer. |
| | Water is too dirty or water was kept too long in the tank. | Clean the water tank and refill with clean water. |
| Abnormal noise | Vibration in the water tank because the water level is too low. | Fill the water tank. |
| | Machine is on an unstable surface. | Move the unit to a stable flat surface. |
| Spray mist is coming out of the area around the jet. | There are gaps between the housing around jet nozzle and the top of the water tank. | Remove the jet nozzle from the top of the water tank and clean with a damp cloth. Reattach to the water tank. |

The following is not considered faulty operation:

- If your water is very hard (containing abnormally high levels of minerals) the humidifier may produce white dust. This is not a malfunction. The solution would be to clean the filter more often or use softer water.
- If you stand very close to the humidifier, you will hear the gurgling sound of water. This is normal.
- The machine operates very quietly but it is not completely silent. Noise levels less than 25 db is considered normal.

WARNING!

If the above recommended solutions do not work, please contact *Clean Air Optima* technical support at the telephone number for your region. Do not attempt to disassemble, repair and reassemble the machine as it may void the warranty.

Cleaning and Maintenance

You can ensure many years of trouble free operation of your **Clean Air Optima CA-602** humidifier by following a few simple maintenance procedures. If your water is hard, containing high concentrations of calcium and other minerals, then over a period of time white dust will start to deposit on the various surfaces in the room. A white, film-like substance will also start to develop in the water basin, on the transducer and on the inner surface of the water tank. This white film will impede the proper function of the transducer and the operation of the machine.

We recommend the following

1. If your water is very hard, we recommend that you boil it first, allow it to cool completely before use in the humidifier. The boiling will reduce the mineral concentration in the water. The other option is to use distilled water if your mineral level is still too high.
2. If you are using the machine on a daily basis, clean the transducer, water tank and basin once a week.
3. When the water tank needs a refill, empty the remaining water from the tank and fill it with fresh water.
4. Clean the whole machine and make sure to keep all the parts completely dry when the machine is not in use.

How to clean the transducer

1. Place 5-10 drops of vinegar on the surface of the transducer and wait for 2-5 minutes.
2. Using a small brush, cotton swab or tooth brush, gently clean the mineral film from the surface of the transducer.
3. Rinse the transducer with clean water.
4. Never use sharp or solid objects for cleaning the transducer

How to clean the water basin

1. Clean the water basin with a soft damp cloth. If there is excess film on the surfaces, then soak the cloth with vinegar and repeat the process.
2. If there is a film in any of the depressions along the basin, drop a bit of vinegar into depression and clean it out with a brush.
3. Rinse the basin with clean water.

How to clean the White Dust & Anti-Microbial Filter

1. Remove the filter from the water tank.
2. Put some white vinegar into a glass. Soak the filter in the vinegar for about 10 minutes.
3. Remove the filter from the glass and shake it several times.
4. Clean and rinse the filter once again with fresh water.



If you don't plan to use the humidifier for a long time, remove the filter from the water tank and let it dry thoroughly. Then wrap it in protective packaging and keep it next to the humidifier in a cool, dry and dark storage space.

Why humidify the Air?

When the air is dry, especially in the winter months, it can become unpleasant and even unhealthy, leading to increased levels of static electricity, dry skin, cracked lips and even nose bleeds. Optimal humidity is between 45 to 55% relative humidity. During the winter months though, relative humidity in the average home can drop to below 20%. Low humidity can lead to a variety of conditions that cause ill health. Dust particles, bacteria, viruses, dust mite feces that are normally trapped by the moist nasal membrane lining in the nose can more easily get into the lungs when the air is dryer and thus reduce the body's natural defence mechanism. These invaders overload the immune system and irritate the mucous membranes resulting in more coughing and susceptibility to disease. The **Clean Air Optima CA-602** is an ideal ultrasonic humidifier for homes, apartments, offices and anywhere where is low humidity. Ultrasonic water vapour is highly beneficial to individuals. Their biggest advantage is high performance combined with low energy consumption.

Do not use additives

Water additives (e.g. essential oils, fragrances, water conditioners etc.) must NOT be used! Even a small amount can cause damage to the tank material. The material is not suitable for the use of such additives. One drop is enough to damage the tank and render the appliance unusable. Appliances that are damaged by such additives will not be covered by the manufacturer's warranty.

The major benefits

- Air humidification and air purification, refreshes and improves indoor air quality
- 2-in-1: Humidification & Purification System!
- Permanent ceramic / nano-silver filter: no replacement filters needed!
- Minimum humidity setting 45%, Maximum 90%
- Built-in Ionizer purifies the air additionally and provides fresh air
- Virtually silent operation ensures a quiet and restful sleep
- The ultrasonic is hygienically flawless if cleaned regularly and the ceramic/nano-silver cartridge is cleaned as indicated
- Permanent, easy to clean ceramic nano-silver filter for control of white dust, mould and bacteria
- Safely and automatically shuts off when it runs out of water
- Large capacity water tank (3,5L) easy refills with normal tap water
- Runs up to 3 nights or 30 ours without refilling (low setting)
- Save money. No wicks or filters to replace!
- Low power consumption

Applicable for small and larger rooms up to 375 ft² / 35m² / 80m³

Benefits of proper humidification

- reduces discomfort, tiredness, sickness
- reduces susceptibility to colds
- reduces chapped lips, dry, red eyes and dry, itchy skin
- helps to feel and sleep better
- can help you recover sooner from a cold
- reduces damage to wooden objects
- reduces the negative effect of dry air on musical instruments
- reduces static electricity charge
- helps to keep your voice tuned

Benefits of ionisation

Ionised air strengthens our defence systems and our vitality and ionisation purifies the air by reducing the particles, micro-organisms, viruses & allergens!

Product specifications

- Type: Clean Air Optima CA-602
- Ultrasonic humidifier for cold mist capacity
- Mist Evaporation Rate: Low 120 ml / hr (3.4 fl oz) High 300 ml / hr (10.1 fl oz)
- Negative Ion Output: 3.000.000/cm³ (49.161.000/inch³)
- Active oxygen <0.05 ppm
- Water tank capacity 3,5L
- Very low noise level <25 dB
- Dimensions (LxWxH) 35,5 x 27,5 x 14 cm
- Weight: 1,7kg (8.2lbs) dry
- Color: white with transparent water tank
- Energy consumption only 38 watts
- Power supply 220 - 240V, 50/60 Hz

At the end of the product life cycle, you should not throw this machine into the normal household garbage but bring the product to a collection point for the recycling of electrical and electronic equipment.



WARRANTY CERTIFICATE FOR THE **Clean Air Optima CA-602** ULTRASONIC HUMIDIFIER with Ionizer

Date of purchase:

Customers name:

Address:

Telephone:

Email:

Seller's name:

Address:

1. Please fill in completely this Warranty Certificate. Send it with the invoice and the unit, postage pre-paid and using the original packing box, to your distributor. Make sure to include the appropriate return postage for the package.
2. Please enclose a short description of the damage, fault or malfunction, and the circumstances under which these problems arose.

The **Clean Air Optima CA-602** is subjected to strict testing procedures before leaving the factory. If within two years from the date of purchase the product does not perform according to the specifications, because of factory defects, the purchaser is entitled to free repairs or replacement of parts upon presentation of this warranty (provided that the malfunction or damage to the device and/or parts occurred under normal operating conditions). What is covered: All parts defective in material and workmanship. For how long: Two years from purchase date. What we will do: Repair or replace any defective parts. Exclusions: Regular replacement parts such as filter cartridges.

Other Conditions

The provisions of this warranty are in lieu of any other written warranty whether express or implied, written or oral, including any warranty of merchantability or fitness for a particular purpose. The manufacturer's maximum liability shall not exceed the actual purchase price paid by you for the product. In no event shall the manufacturer be liable for special, incidental, consequential, or indirect damages. This warranty does not cover a defect that has resulted from improper or unreasonable use or maintenance, faulty assembly, accident, natural catastrophes, improper packing, or unauthorized tampering, alteration, or modification as determined solely by us. This warranty is void if the label bearing the serial number has been removed or defaced.

Clean Air Service Center

David Ricardostraat 9-9
7559 SH Hengelo (ov)
The Netherlands
Tel: + 31 (0) 74 - 2670145
Fax: + 31 (0) 74 - 2671789
E-mail: info@cleanairoptima.com
Internet: www.cleanairoptima.com

Ultrasoon luchtbevochtiger
met ionisator en aromatherapie
CA-602



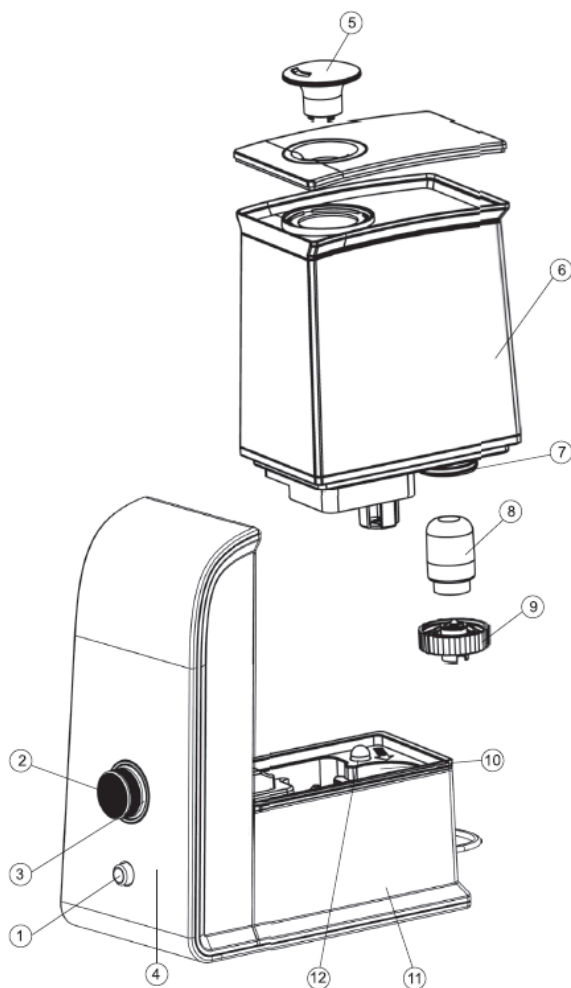
Gefeliciteerd met de aankoop van uw nieuwe **Clean Air Optima CA-602** luchtbevochtiger. U heeft een belangrijke stap gezet in de verbetering van de luchtkwaliteit in uw huis, kantoor of welke andere binnenruimte dan ook. De tevredenheid van de klant is ons uitgangspunt. De **Clean Air Optima** luchtbevochtiger is een kwaliteitsproduct en wordt geleverd met een garantie periode van 2 jaar.

U dient altijd uiterst voorzichtig te zijn wanneer u dit of enig ander elektrisch apparaat gebruikt. Verminder de kans op elektrocutie, elektrische schokken, verwondingen of brand door navolgende aanwijzingen goed te lezen en op te volgen.

Veiligheidsinstructies

- Apparaat uitsluitend in overeenstemming met de op het typeaanduidingplaatje vermelde gegevens aansluiten en bedienen.
- Enkel gebruiken indien toevoerleiding en apparaat geen beschadigingen vertonen.
- Telkens vóór gebruik controleren!
- Plaats het apparaat zodanig dat het niet omgegooid kan worden.
- Dit apparaat mag niet gebruikt worden door kinderen en door personen met beperkte psychische capaciteiten of met gebrekkige kennis, tenzij zij onder het toezicht van een voor hun veiligheid instaaende persoon of tenzij zij instructies kregen, hoe het apparaat gebruikt dient te worden. Er dient beslist voor gezorgd te worden dat kinderen niet met het apparaat spelen.
- Plaats de luchtbevochtiger niet bij warmtebronnen zoals kachels, radiatoren en heaters.
- Niet gebruiken op plaatsen waar brandbare of explosieve materialen worden opgeslagen.
- Plaats de luchtbevochtiger niet in direct zonlicht of bij objecten met hoge temperaturen.
- Telkens na gebruik of in geval van een fout stekker uittrekken.
- Probeer nooit de stekker te veranderen op welke manier dan ook.
- Voordat u de stekker uit het stopcontact haalt dient u te controleren of de luchtbevochtiger uitgeschakeld is.
- Haal de stekker altijd uit het stopcontact wanneer het apparaat niet in gebruik is.
- Let erop dat het snoer van het apparaat nooit op een heet oppervlak ligt.
- Gebruik het apparaat niet wanneer het snoer of de stekker beschadigd is of lijkt. Draai het snoer nooit om scherpe hoeken, dit kan letsel voor de gebruiker of beschadiging van het snoer tot gevolg hebben.
- De aansluitleiding niet met natte handen vastnemen.
- Laat het apparaat tijdens de werking nooit zonder toezicht.
- Bewaar het apparaat niet in de open lucht.
- Dompel het apparaat niet in water.
- Zorg dat de luchtuitlaat ten allen tijde vrij blijft. Plaats er geen voorwerpen op.
- Gebruik geen additieven (b.v. pure etherische oliën, geurstoffen, waterreinigingsmiddelen). Het materiaal is niet geschikt voor gebruik van additieven. Toestellen die door dergelijke additieven zijn beschadigd, zijn van de garantie buitengesloten.
- Schakel het apparaat steeds uit als de tank leeg is of als u het apparaat niet gebruikt.
- Indien het apparaat langere tijd niet gebruikt wordt, trekt u de netstekker uit het stopcontact en reinigt u het apparaat.
- Gebruik het apparaat nooit na een verkeerde werking, bijvoorbeeld als het op de grond gevallen is of op een andere manier beschadigd werd.
- De fabrikant kan niet verantwoordelijk gesteld worden bij een foutief gebruik, dat door veronachtzaming van de gebruiksaanwijzing tot stand komt.
- Reparaties aan het apparaat, zoals bijvoorbeeld een uitwisseling van een beschadigde toevoerleiding, mogen uitsluitend door de klantenserviceafdeling doorgevoerd worden om gevaren te vermijden.
- Het apparaat mag niet met een schakeltijd klok of met een apart afstandsbesturingssysteem bediend worden!
- Als u een abnormale geur waarneemt, schakelt u het apparaat uit en richt u zich tot de klantenserviceafdeling.
- De nevelverdeler (richtingssproeier) nooit op elektrische apparaten of stopcontacten richten.
- De hoogfrequente trillingen kunnen door mens en dier niet gehoord worden en zijn geheel ongevaarlijk.

Diagram Luchtbevochtiger CA-602



1. Ionisator Aan/Uit - Led licht Aan/Uit
2. Power Aan/Uit - Mistregelaar
3. Led licht
4. Behuizing voorkant
5. Nevelverdeler (richtingsproeier)
6. Watertank
7. Opening voor water te vullen in de tank
8. Permanent keramisch / nano-zilver filter
9. Schroefdeksel voor afdichten watertank
10. Waterbassin
11. Behuizing zijkant
12. Led aan indicator blauw/Water bijvullen indicator rood

Aromatherapie

Belangrijk

Voor het bereiken van het gewenste succes en lang plezier van uw **CLEAN AIR OPTIMA** luchtbevochtiger, raden we u aan om de volgende instructies over het gebruik van etherische olie (ook wel essentiële olie genoemd) in uw luchtbevochtiger zorgvuldig te lezen.

Toepassing CLEAN AIR OPTIMA essentiële oliën in de CLEAN AIR OPTIMA CA-602

Door toepassing van onze hoogwaardige essentiële oliën in de CA-602 geniet u uw persoonlijke aromatherapie: een geurbeleving op het hoogste niveau!

Voor aromatherapie in de CA-602 ultrasoon luchtbevochtiger is uitsluitend de volgende speciaal voor ultrasoon luchtbevochtigers ontwikkelde **CLEAN AIR OPTIMA essentiële oliën** toepasbaar:



| | |
|------------|------|
| Eucalyptus | 10ml |
| Vanille | 10ml |
| Lavendel | 10ml |
| Jasmijn | 10ml |
| Citroen | 10ml |
| Rozemarijn | 10ml |

Bestellen:

NL: <https://www.cleanairoptima.nl/productslist/aromatherapie/>

BE: <https://www.cleanair-online.be/productslist/aromatherapie/>

De werking

Essentiële oliën oftewel etherische oliën zijn vluchtig: ze hebben van nature de neiging om zich in de lucht te verspreiden. Door gebruik te maken van de ultrasoon techniek in de **Clean Air Optima luchtbevochtiger CA-602** wordt etherische olie sneller in de binnenlucht verspreid.

In deze ultrasoon luchtbevochtiger wordt de etherische olie door het ultrasone trilplaatje microfijn verneveld en d.m.v. een ventilator in de lucht verspreid, zonder dat ook maar enige warmte wordt gebruikt.

Het (na)vullen met CLEAN AIR OPTIMA etherische olie:



Schakel het apparaat uit en trek de stekker uit het stopcontact. Verwijder aan de bovenzijde de kap met de sproeiopening. Giet aan de bovenzijde 5 tot 10 druppels van uw favoriete **Clean Air Optima etherische olie** in de sluisopening van de bevochtiger. Het navullen van etherische olie is zeer eenvoudig: gewoon nieuwe druppels in de sluisopening van het apparaat.

Attentie!

gebruik van andere, niet voor ultrasoon luchtbevochtigers ontwikkelde essentiële oliën of additieven, kunnen leiden tot beschadiging van de luchtbevochtiger! (bijv. pure etherische oliën, aroma's schoonmaakmiddelen voor het water) mogen NIET worden gebruikt! Zelfs een kleine hoeveelheid zou het kunststof kunnen beschadigen/breken. Het materiaal is niet geschikt voor het gebruik van dergelijke additieven. Één druppel is al voldoende om de watertank/waterbassin te beschadigen en het toestel onbruikbaar te maken. Toestellen die door dergelijke additieven worden beschadigd, zijn van de garantie uitgesloten.

De **Clean Air Optima CA-602** luchtbevochtiger is uitgerust met een **permanent en herbruikbaar** keramisch / nano-zilver filter. Het filter hoeft niet te worden vervangen en kan eenvoudig gereinigd worden. Het filter bestaat uit een cilinder met een aantal kleine plastic en keramische balletjes. De plastic balletjes zijn ingebed met nano-zilver en vermindert bacterievorming in het water. Tevens is de bodem van de watertank en van het bassin met nano-zilver gemengd. De keramische balletjes zijn voor ontkalken en verzachten van het water en voorkomt nare watergeur. Het filter moet minimaal 1 keer per maand gereinigd worden of na 1.000 uren in gebruik van de luchtbevochtiger. Zie hoofdstuk **Reiniging** voor verdere instructies.



Ingebruikname van het apparaat

Het apparaat dient ter bevochtiging van de binnenlucht.

Zet het apparaat op een vast, effen en voor water ongevoelig oppervlak neer, ca. 60 cm vanaf de vloer en minstens 20 cm van de wand. Plaats de luchtbevochtiger niet op meubulair. Om de watertank te vullen, verwijdert u de nevelverdelers (richtingsproeier) bovenop het apparaat en opent u het schroefdeksel aan de onderzijde van de watertank.

Giet koud water in (geen warmwater, dit kan lekken veroorzaken). Bij sterk kalkhoudend water maakt u gebruik van gedestilleerd of afgekookt water. Geen chemicaliën, oplosmiddelen of dergelijke ingieten. Schroef het deksel daarna weer goed vast. Zet de tank op het onderste gedeelte van het apparaat en breng de nevelverdelers (richtingsproeier) aan op de bovenkant van het apparaat. Let erop dat de tank juist zit, zodat het apparaat correct kan werken.

Steek de stekker in het stopcontact.

Schakel het apparaat in met de "**Aan/uit**" schakelaar (Mistregelaar) aan de voorkant van behuizing.

Draai de "**Draaiknop**" aan de voorkant naar rechts om de luchtbevochtiging te starten. Een klein hoogfrequent trilplaatje in het waterreservoir, de transducer, zorgt voor ultrasoon water vernevelingstechniek waardoor het water microfijn wordt verneveld tot koude mist en de lucht aangenaam bevochtigd. De zachte ventilator luchtstroom over het water zorgt voor optimale verdeling van de waternevel in de ruimte. Let erop dat de vrijkomende mist niet op wandcontactdozen, muren of andere voorwerpen staat gericht.

Met de "**Draaiknop – Min / Max.**" wijzigt u de ventilatorsnelheid en daardoor de hoeveelheid waterverneveling in de ruimte.

Met de "ION/Light knop" schakelt u de ionisator en led licht in, nu wordt ook de uitblaasluucht met negatieve ionen toegevoegd. De ingebouwde ionisator produceert negatieve zuurstofionen waardoor de binnenlucht (aanvullend op de bevochtiging) wordt gereinigd en verfrist.

Als er geen of te weinig water in de tank is, hoort u een geluidssignaal.

Aantal ionen per kubieke centimeter lucht:

Op hoogteliggingen 8000 ionen / cm³

Aan zee 4000 ionen / cm³

Op het land 1200 ionen / cm³

In de stad 200 ionen / cm³

Op kantoor slechts 20 ionen / cm³

Luchtvochtigheid (= "Humidity")

De procenten van waternevel in een ruimte en de luchttemperatuur vormen de relatieve luchtvochtigheid. De lucht bevat min of meer luchtvochtigheid. De verhouding van waternevel tot lucht verschilt van de verschillende temperaturen. Hoe hoger de temperatuur, hoe minder waternevel er in de lucht is.

In de winter komt de koude lucht van buiten en wordt de lucht door de kamertemperatuur warmer. De relatieve luchtvochtigheid neemt af. De luchtvochtigheid kan met de Clean Air Optima luchtbevochtiger op peil worden gebracht.

De relatieve luchtvochtigheid dient te zijn:

Slaap- en woonkamer 45-60%

Patiëntenkamer 40-50%

Bibliotheken 40-50%

Reiniging

Als u van sterk kalkhoudend water gebruik maakt, vormt er zich kalkaanslag op de bodem van de watertank, in het waterbassin en op het oppervlak van de transducer (ultrasoon membraan). Als dit membraan verkalt is, kan het apparaat niet foutloos werken.

Indien u het apparaat langere tijd niet gebruikt en ook als het apparaat verkalkt is, gaat u als volgt te werk: Stekker uittrekken en het water uit de watertank en uit het bassin verwijderen. Het tankdeksel enkel weer vastschroeven wanneer u het apparaat nodig hebt, zodat de tank geventileerd blijft. Kalkresten aan het bassin, aan de transducer en aan de watertank schoonvegen. Erop letten dat de transducer in het midden van het bassin niet beschadigd wordt.

Reinigen transducer en waterbassin

1. Doe 5-10 druppels azijn op het oppervlak van de transducer en in het waterbassin, wacht 2-5 minuten.
2. Maak met behulp van een kleine borstel, een wattenstaafje, tandenborstel of doek voorzichtig de transducer en het waterbassin schoon. Let op! dat u niet te hard op de transducer drukt om beschadiging te voorkomen. Gebruik nooit scherpe of vaste voorwerpen voor het reinigen van de transducer en waterbassin.
3. Daarna het waterbassin met zuiver water afspoelen. Let op! dat u niet het hele apparaat onderwater dompelt, alleen water in het waterbassin laten lopen, anders raakt het apparaat defect!

Reinigen keramisch / nano-zilver filter

1. Verwijder het filter uit de watertank.
2. Vul een glas voor de helft met azijn. Zet het filter gedurende 10 minuten in het glas met azijn.
3. Haal het filter uit het glas en schud het filter meerdere malen.
4. Spoel het filter na met zuiver water



Technische gegevens

- Ultrasoon waterverneveling voor koude mist
- min. 120 ml / h
- max. 300 ml / h

Voor ruimtes tot ca. 35m² / 80m³

- Bevochtigt, reinigt, verfrist en verbetert de kwaliteit van de binnenlucht
- 2-in-1 Luchtbevochtiging & luchtreiniging systeem!
- Permanent keramisch / nano-zilver filter: geen vervangfilters nodig!
- Veilige afgifte van koude nevel, geschikt voor baby- en kinderkamer
- Negatieve ionen: 3.000.000/cm³
- Actief zuurstof < 0,05 ppm
- Handmatige bediening door draaiknop
- Traploos regelbare snelheden
- Waterreservoir 3,5 liter
- Keramisch filter voor waterontkalking
- Nanozilver tegen bacterievorming en slechte watergeur
- Tot 30 uur continu bedrijf (of 3 nachten) zonder navulling (laagste stand)
- Automatische uitschakeling en signaal bij leeg waterreservoir
- Bijzonder geluidsarm <25dB
- Afmetingen 33,5 x 27,5 x 14,0 cm
- Gewicht: 1,7kg (leeg)
- Kleur: transparant / wit
- TÜV GS en CE getest
- Energieverbruik slechts 38 watt
- Stroomaansluiting 220 – 240V, 50 / 60 Hz

Gebruik en onderhoud

Gebruik koud of gedestilleerd water.

Reinig de transducer, watertank en bassin elke week.

Ververs het water in de tank vaker om fris te houden. Wanneer het apparaat niet gebruikt wordt het hele apparaat reinigen en alle delen goed laten drogen.



Vraag bij uw speciaalzaak of bij uw gemeente om actuele informatie over de afgifte van de verpakking en van uw oude apparaat.

Wij bieden een **garantie van 2 jaar** na aankoopdatum.

Ons product werd volgens de modernste productiemethoden vervaardigd en aan strenge kwaliteitscontroles onderworpen. Wij garanderen de onberispelijke kwaliteit van dit product.

Mochten er tegen alle verwachtingen in gebreken optreden, dan verzoeken wij u de bijgevoegde garantiebon in te vullen en die samen met een kopie van het aankoopbewijs + een korte omschrijving van het defect naar het **Clean Air Service Center** te sturen, zie onderstaand adres:

Clean Air Service Center
T.a.v. afd. Garantie
David Ricardostraat 9-9
7559 SH Hengelo (ov)
The Netherlands
Tel: + 31 (0) 74 - 2670145
Fax: + 31 (0) 74 - 2671789
E-mail: info@cleanair-online.nl
Internet: www.cleanairoptima.nl

| | | | |
|---|----------------|-------------------|------------------------|
| | | Datum van aankoop | Garantieperiode |
| Model | CA-602 | | 2 jaar na aankoopdatum |
| Klant | Naam | | |
| | Adres | | |
| | Telefoonnummer | | |
| | Fout/defect | | |
| <p>a. Al onze producten hebben strenge testen doorstaan voordat ze de fabriek mochten verlaten. Cliënten hebben binnen 2 jaar na aankoopdatum recht op gratis reparatie op vertoon van dit garantiebewijs indien het apparaat niet of slecht functioneert bij normaal gebruik.</p> <p>b. Niet onder de garantie valt schade die is ontstaan als gevolg van het zelf ontmantelen en weer in elkaar zetten van het apparaat, gebruik van het apparaat anders dan in de handleiding staat omschreven, verandering van voeding en/of voltage, natuurgeweld en andere invloeden van buitenaf.</p> <p>c. Niet onder de garantie valt schade aan de buitenkant, accessoires en externe onderdelen.</p> <p>d. De garantieperiode van 2 jaar gaat in op de datum die is vermeld op het garantie- en aankoopbewijs.</p> | | | |

Ultraschall Luftbefeuchter
mit Ionisator und Aromatherapie
CA-602



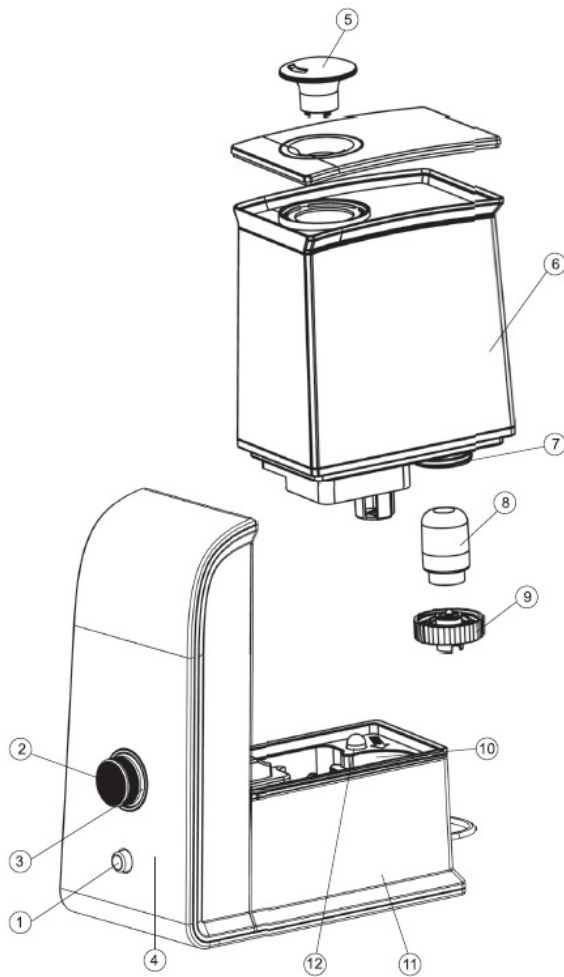
WICHTIG: Um das Risiko von Brand, Stromschlag oder Verletzung beim Gebrauch von Elektrogeräten zu reduzieren, sollten sie folgenden Sicherheitshinweise stets eingehalten werden:

Gebrauchsanleitung bitte sorgfältig aufbewahren!

Sicherheitshinweise

- Gerät nur gemäß Angaben auf dem Typenschild anschließen und betreiben.
- Nur benutzen, wenn Zuleitung und Gerät keine Beschädigungen aufweisen. Vor jedem Gebrauch überprüfen!
- Platzieren Sie das Kabel so, dass das Gerät nicht umgeworfen werden kann.
- Dieses Gerät darf nicht benutzt werden von Kindern und Personen mit eingeschränkter geistiger Fähigkeit oder mangelndem Wissen, es sei denn, sie werden durch eine für ihre Sicherheit zuständige Person beaufsichtigt oder erhalten Anweisung, wie das Gerät zu nutzen ist. Es ist sicherzustellen, dass Kinder nicht mit dem Gerät spielen.
- Stellen Sie das Gerät nicht im Sonnenlicht oder an Orten mit hohen Temperaturen auf.
- Stellen Sie das Gerät nicht in der Nähe von Wärmequellen wie Kaminöfen und Heizungen auf.
- Stecker ziehen nach jedem Gebrauch oder im Fehlerfall.
- Reißen Sie nicht an der Netzanschlussleitung. Scheuern Sie diese nicht an Kanten und klemmen Sie diese nicht ein.
- Schalten Sie stets alle Steuerungen aus, bevor Sie den Luftbefeuchter vom Strom nehmen.
- Stellen Sie sicher, dass das Gerät an eine richtig geerdete Netzsteckdose angeschlossen ist.
- Bei Nicht-Benutzung schalten Sie das Gerät bitte aus.
- Fehlfunktionen des Gerätes sollten nur vom Fachmann behoben werden. Die Garantie erlischt bei Beschädigungen des Geräts durch eine unsachgemäße Reparatur.
- Halten Sie das Netzkabel von warmen Oberflächen fern.
- Benutzen Sie niemals das Gerät bei Beschädigung des Netzkabels oder des Netzsteckers. Beschädigte Teile unbedingt von qualifiziertem Servicepersonal auswechseln lassen.
- Beim Ziehen des Netzsteckers aus der Netzsteckdose ziehen Sie direkt am Netzstecker, ziehen Sie nicht am Netzkabel.
- Die Anschlussleitung nicht mit nassen Händen anfassen.
- Lassen Sie das Gerät während des Betriebs niemals ohne Aufsicht.
- Bewahren Sie das Gerät nicht im Freien oder einem feuchten Raum auf.
- Tauchen Sie das Gerät nicht in Wasser.
- Luftaustritt des Geräts unbedingt freihalten. Keine Gegenstände darauf platzieren.
- Wasserzusätze (z.B. ätherische Öle, Duftstoffe, Wasserreinemittel) nicht verwenden. Das Material ist nicht für den Gebrauch von Zusätzen geeignet. Geräte die durch Zusätze beschädigt werden, sind von der Garantie ausgenommen.
- Schalten Sie das Gerät immer ab, wenn der Tank leer ist oder wenn Sie das Gerät nicht benutzen. Wenn das Gerät länger nicht benutzt wird, ziehen Sie den Netzstecker und reinigen das Gerät.
- Benutzen Sie das Gerät niemals nach einer Fehlfunktion, z.B. wenn es heruntergefallen ist oder auf eine andere Weise beschädigt wurde. Der Hersteller übernimmt keine Verantwortung bei falschem Gebrauch, der durch Nichtbeachtung der Gebrauchsanleitung zustande kommt. Reparaturen am Gerät, wie z.B. eine beschädigte Zuleitung austauschen, dürfen nur durch einen Kundendienst ausgeführt werden, um Gefährdungen zu vermeiden.
- Das Gerät darf nicht mit einer Zeitschaltuhr oder mit einem separaten Fernwirksystem betrieben werden!
- Wenn Sie abnormale Gerüche bemerken stellen Sie das Gerät ab und wenden Sie sich an den Kundendienst.
- Die Ventilationsöffnung nie auf elektrische Geräte oder Steckdosen richten.
- Die Ultraschallschwingung ist für Mensch und Tier nicht hörbar und völlig ungefährlich.

Zeichnung Luftbefeuchter CA-602



1. Ionisator Ein/Aus - Led licht Ein/Aus
2. Power Ein/Aus "Drehknopf" (Min/Max Luftfeuchte Regler)
3. Led licht
4. Gehäusevordersite
5. Richtungsdüse
6. Wassertank
7. Öffnung für Wasser füllen im Tank
8. Permanenter Keramisch / Nano-Silber Filter
9. Schraubdeckel / Dichtung Tank
10. Wasserbassin
11. Gehäuserechtersite
12. Led Kontrollleuchte Ein „blau“ / Wasserbefüllung „rot“

Aromatherapie

Wichtig

Damit Sie den gewünschten Erfolg erzielen und recht lange Freude an Ihrem **CLEAN AIR OPTIMA Ultraschall Luftbefeuchter** haben, empfehlen wir Ihnen, die nachstehenden Hinweise zum Gebrauch von ätherischen Öle in den **CLEAN AIR OPTIMA Ultraschall Luftbefeuchter CA-602** sorgfältig durchzulesen.

Anwendung ätherischer Öle in den CLEAN AIR OPTIMA CA-602

Verwenden Sie unsere hochwertigen ätherischen Öle und genießen Sie Ihre persönliche Aromatherapie! Ein Dufterlebnis auf höchstem Niveau!

Passend zu dem **CLEAN AIR OPTIMA Ultraschall Luftbefeuchter CA-602** finden Sie in unserem Sortiment qualitativ hochwertige ätherische Öle in vielen Dufrichtungen **welcher speziell entwickelt worden sind für Anwendung in Ultraschall Luftbefeuchter:**



| | |
|------------|------|
| Eukalyptus | 10ml |
| Vanille | 10ml |
| Lavendel | 10ml |
| Jasmin | 10ml |
| Zitrone | 10ml |
| Rosmarin | 10ml |

Bestellen:

DE: <https://www.optima-luftreiniger.de/productslist/aromatherapie/>
AT: <https://www.cleanairoptima.at/productslist/aromatherapie/>
CH: <https://www.cleanairoptima.ch/productslist/aromatherapie/>

Wirkweise

Ätherische Öle (auch essentielle Öle genannt) reizen durch Ihre Flüchtigkeit den Geruchssinn und werden meist als aromatisch empfunden. Ätherische Öle haben als natürliche Eigenschaft dass Sie im Laufe der Zeit verdunsten.

Der **Clean Air Optima Ultraschall Luftbefeuchter CA-602 arbeitet** nach der neuesten Zerstäubungstechnologie auf Ultraschallbasis, um ätherische Öle und Wasser in mikroskopisch kleine Tröpfchen zu zerstäuben. Durch diese Technologie sind die Wirkstoffe und das Wasser in der Lage, ihr wohltuendes Potential für den Menschen zu entfalten.

Einfüllen bzw. nachfüllen Ätherische Öle:



Schalten Sie zuerst das Gerät aus und ziehen danach den Netzstecker. Haube mit den Düsenöffnungen abnehmen, ca. 5 - 10 Tropfen ihres bevorzugten ätherischen Öls in den Wasserbehälter einfüllen und die Haube wieder anbringen. Um den besten Effekt zu erreichen, **verwenden Sie bitte AUSSCHLIESSLICH die hochwertigen ätherischen Öle und Kompositionen aus dem Clean Air Optima Sortiment.**

Achtung!

Anwendung andere, nicht für **Ultraschall Luftbefeuchter** geeignete ätherische Öle oder andere Wasserzusätze (z.B. Pure ätherische Öle, Duftstoffe, Wasserreinemittel) können dem Luftbefeuchter Schaden zufügen und dürfen **NICHT** verwendet werden! Auch eine kleine Menge kann den Kunststoff beschädigen/Risse bilden. Das Material ist nicht für den Gebrauch von Zusätzen geeignet. Ein Tropfen genügt, um den Wassertank/Wasserbassin zu beschädigen und damit das Gerät unbrauchbar zu machen. Geräte die durch Zusätze beschädigt werden, sind von der Garantie ausgenommen.

Der **Clean Air Optima CA-602** Luftbefeuchter ist mit einem **permanenten und wiederverwendbare** Keramisch / Nano-Silber Filter ausgestattet. Das Filter muss nicht ausgetauscht werden und kann leicht gereinigt werden. Das Filter besteht aus einem Zylinder mit kleine Kunststoff-und Keramik-Kugeln. Die Kunststoff-Kugeln sind mit Nano-Silber eingebettet und reduziert bakterielles Wachstum in das Wasser. Der Boden des Wassertanks und des Bassins ist auch mit Nano-Silber gemischt und vermindert Bakterienbildung. Die Keramik-Kugeln sorgen für hygienisch reinen Wassernebel, Entkalkung und beseitigt Gerüche in das Wasser. Das Filter muss mindestens 1 Mal pro Monat gereinigt werden oder nach 1.000 Betriebsstunden. Siehe Abschnitt **Reinigung** für weitere Anweisungen.



Inbetriebnahme des Gerätes

Das Gerät dient zur Befeuchtung der Raumluft.

Stellen Sie das Gerät auf eine feste ebene und wasserunempfindliche Fläche, ca. 60 cm vom Boden und mindestens 20 cm von der Wand. Stellen Sie das Gerät nicht auf meubulair. Zum Füllen der Wassertanks entfernen Sie die „Richtungsdüse“ und öffnen den Schraubdeckel an der Unterseite des Tanks.

Füllen Sie kaltes Wasser ein (kein warmes Wasser, kann zu Leckagen leiten). Bei stark kalkhaltigem Wasser benutzen Sie destilliertes oder abgekochtes Wasser. Keine Chemikalien, Lösungsmittel oder Ähnliches einfüllen. Schrauben Sie den Deckel danach wieder gut fest. Setzen Sie den Tank auf das Unterteil und legen Sie die Richtungsdüse auf. Achten Sie darauf, dass der Tank richtig sitzt, damit das Gerät korrekt arbeiten kann.

Stecken Sie den Stecker in die Steckdose.

Mit der **“MIN/MAX.”** Drehknopf schalten Sie der Luftbefeuchter ein und verändern Sie die Ventilator Geschwindigkeit und damit die Menge an zerstäubten Wasser.

Das Wasser wird mit Hochfrequenzschwingungen in mikrofeinen Nebel umgewandelt, der dann durch einen leisen Ventilator an die Innenraumluft abgegeben wird und sofort verdunstet. Darauf achten, dass der austretende Nebel nicht gegen Steckdosen, Wände und andere Gegenstände gerichtet wird.

Drücken Sie die **"ION/Light"** Knopf auf der Vorderseite des Gerätes. Die Ausblasluft wird jetzt mit negativen Ionen angereichert. Der integrierte Ionisator reinigt und erfrischt die Luft zusätzlich mit negativen Sauerstoffionen.

Der Effekt ist pure Natur: Nach einem Sommergewitter ist die Luft besonders reich an negativen Ionen und deshalb besonders frisch.

Anzahl der Ionen pro Kubikzentimeter Luft:

In Höhenlagen 8000 Ionen / cm³

Am Meer 4000 Ionen / cm³

Am Land 1200 Ionen / cm³

In der Stadt 200 Ionen / cm³

Im Büro nur 20 Ionen / cm³

Wenn kein oder zu wenig Wasser im Tank ist hören Sie ein Signal.

Luftfeuchtigkeit (= Humidity)

Die Prozente von Wasserdampf in einem Raum und die Lufttemperatur sind die relative Luftfeuchtigkeit. Die Luft enthält mehr oder weniger Luftfeuchtigkeit. Das Verhältnis von Wasserdampf zu Luft variiert zu den verschiedenen Temperaturen. Je höher die Temperatur umso weniger Wasserdampf ist in der Luft.

Im Winter kommt die kalte Luft von außen und wird wärmer durch die Raumtemperatur.

Die relative Luftfeuchtigkeit verringert sich. Die Luftfeuchtigkeit kann mit dem Clean Air Optima Luftbefeuchter angehoben werden.

Die relative Luftfeuchtigkeit sollte sein:

Schlaf- und Wohnzimmer 45-60%

Patientenzimmer 40-50%

Bibliotheken 40-50%

Reinigung

Wenn Sie stark kalkhaltiges Wasser einsetzen bilden sich Kalkablagerungen am Boden des Wassertanks, im Wasserbassin und auf der Oberfläche des Transducers (Ultraschallmembrane). Wenn diese Membrane verkalkt ist kann das Gerät nicht einwandfrei arbeiten.

Sollten Sie das Gerät über längere Zeit z.B. Sommermonate nicht verwenden, sowie wenn das Gerät verkalkt ist verfahren Sie wie folgt:

Stecker ziehen und das Wasser aus dem Wassertank und dem Bassin entfernen indem Sie den Tankverschluss aufschrauben und das Wasser ausschütten.

Den Tankverschluss nur wieder zuschrauben wenn Sie das Gerät benötigen, damit der Tank belüftet ist.

Kalkrückstände am Bassin, dem Transducer und dem Wassertank abwischen. Darauf achten dass der Transducer in der Mitte des Bassins nicht beschädigt wird.

Reinigung transducer und Wasserbassin

1. Legen Sie 5-10 Tropfen Essig auf der Oberfläche des Transducers und des Wasserbassins, warten Sie 2-5 Minuten.
2. Reinigen Sie mit einer kleinen Bürste, einem Wattestäbchen, Pinsel oder Tuch vorsichtig den Transducer und das Wasserbassin. Achtung! nicht zu hart drücken auf den Transducer, um Schäden zu verhindern. Benutzen Sie niemals spitze oder harte Gegenstände für Reinigung.
3. Das Wasserbassin mit sauberem Wasser abspülen. Achtung! Das Sie nicht das gesamte Gerät unter Wasser tauchen, nur Wasser in das bassin laufen lassen, da sonst das Gerät beschädigt wird!

Reinigung Keramisch / Nano-Silber Filter

1. Entfernen Sie den Filter aus dem Wassertank.
2. Füllen Sie ein Glas zur Hälfte mit Essig. Setzen Sie den Filter für 10 Minuten in das Glas mit Essig.
3. Entfernen Sie den Filter aus dem Glas und schütteln Sie das Filter mehrmals.
4. Das Filter mit sauberem Wasser abspülen.



Technische Daten:

- **Clean Air Optima CA-602: Luftbefeuchter für Wohnraum, Schlafzimmer, Büro**
- Befeuchtet, reinigt, erfrischt und verbessert die Luftqualität in Innenräumen
- 2-in-1: Luftbefeuchtung und –reinigung
- Keramisch / Nano-Silber Filter mit permanenter Lebensdauer. Kein Filteraustausch erforderlich!
- Technik: Ultraschall mit kalter Wasservernebelung
 - Integrierter Ionisator für Luftreinigung
 - Drehregler für stufenlose Regulierung der Raumfeuchtigkeit
- Befeuchtungsleistung: ca. 120 ml/h bis 300 ml/h
- Betriebszeit: 30 Stunden / 3 Nächte pro Füllung (Einstellung Minimalleistung)
- Negative Ionen: 3.000.000/cm³
- Aktiv Sauerstoff: < 0,05 ppm
- Raumgröße: Geeignet für Räume bis 35m² / 80m³
- Anschlußwert: max. 38 Watt
- Stromspannung: 220 – 240V, 50 / 60 Hz
- Zusätzlicher Keramik / Nano-Silber Filter sorgt für hygienisch reinen Wassernebel
- Kein Filter Nachkauf
- Sehr leise <25dB
- Abnehmbarer Wassertank: Ja
- Inhalt Wasserbehälter: 3,5 Liter
- Farben: Weiss mit transparentem Wassertank
- Maße: 33,5 x 27,5 x 14 cm
- Gewicht: 1,7kg Trocken
- Kabellänge: 145 cm

Anwendung & Wartung

Für Anwendung kaltes oder destilliertes Wasser verwenden.

Reinigung Ultraschall Schwingelement, Wassertank und Behälter wöchentlich.

Gerät regelmäßig mit frischem Wasser versorgen.

Bei längerer Auszeit das Gerät gründlich reinigen und alle Teile gut trocknen lassen.

Hinweise zum Umweltschutz

Dieses Produkt darf am Ende seiner Lebensdauer nicht über den normalen Haushaltsabfall entsorgt werden, sondern muss an einem Sammelpunkt für das Recycling von elektrischen und elektronischen Geräten abgegeben werden. Das Symbol auf dem Produkt, der Gebrauchsanleitung oder der Verpackung weist darauf hin.

Die Werkstoffe sind gemäß ihrer Kennzeichnung wieder verwendbar. Mit der Wiederverwendung, der stofflichen Verwertung oder anderen Formen der Verwertung von Altgeräten leisten Sie einen wichtigen Beitrag zum Schutze unserer Umwelt. Bitte erfragen Sie bei der Gemeindeverwaltung die zuständige Entsorgungsstelle.



Garantieschein

Artikel:
Kunde: Ort: Plz.:
Auftragsnummer:
Geschäft:
Kaufdatum:
Garantieperiode:

Mit Ihrer Entscheidung zum Kauf eines Luftbefeuchter von **Clean Air Optima** können Sie ein hochwertiges Qualitätsprodukt Ihr Eigen nennen.

Gemäß dem zum 01. Januar 2002 geänderten europäischen Gewährleistungsrecht steht Ihnen eine gesetzliche Gewährleistungsfrist von 2 Jahren zu.

2 Jahre Garantie:

1. Alle Komponenten der **Clean Air Optima** Luftbefeuchter unterliegen und durchlaufen einer strengen Qualitätskontrolle bevor sie die Fabrik verlassen dürfen. Kunden können innerhalb von zwei Jahren ab Kaufdatum kostenlose Reparatur oder Ersatz von/für defekte Teile/Geräten in Anspruch nehmen, wenn unsere Firma sicher ist, dass die Störung oder der Defekt im normalen Gebrauch aufgetreten sind und nicht von außen herbeigeführt wurden.
2. Diese Garantie kann natürlich nicht in Anspruch genommen werden, wenn Schäden durch unsachgemäße Handhabung, Aufmachen des Gehäuses und Manipulation außerhalb der in der Gebrauchsanleitung beschriebenen Arbeiten, falsche Energiezufuhr, Wasserschäden oder andere von außen zugeführte Gewalten zu Grunde liegen.
3. Heben Sie den Garantieschein gemeinsam mit der Rechnung auf, um im Falle eines Falles Anspruch auf Garantie erheben zu können.

Der Garantie Anspruch ist zu richten an:

E-Mail: info@optima-luftreiniger.de

Fax: +49 (0) 5921 879 150

Senden Sie die Ware ausreichend frankiert mit ausgefüllten Garantieschein, Kopie der Rechnung + kurze Beschreibung vom aufgetretenen defekt an folgende Adresse:

Clean Air Service Center

Enschedestraße 14
48529 Nordhorn
DEUTSCHLAND

Wir können nur frankierte Warensendungen in Empfang nehmen.
Verwenden Sie für die Rücksendung von Produkte unsere Original-Verpackung oder aber eine robuste Verpackung in mindestens gleicher Größe wie diese.

Humidificateur d'air à ultrasons
avec ioniseur intégré
CA-602



Mode d'emploi



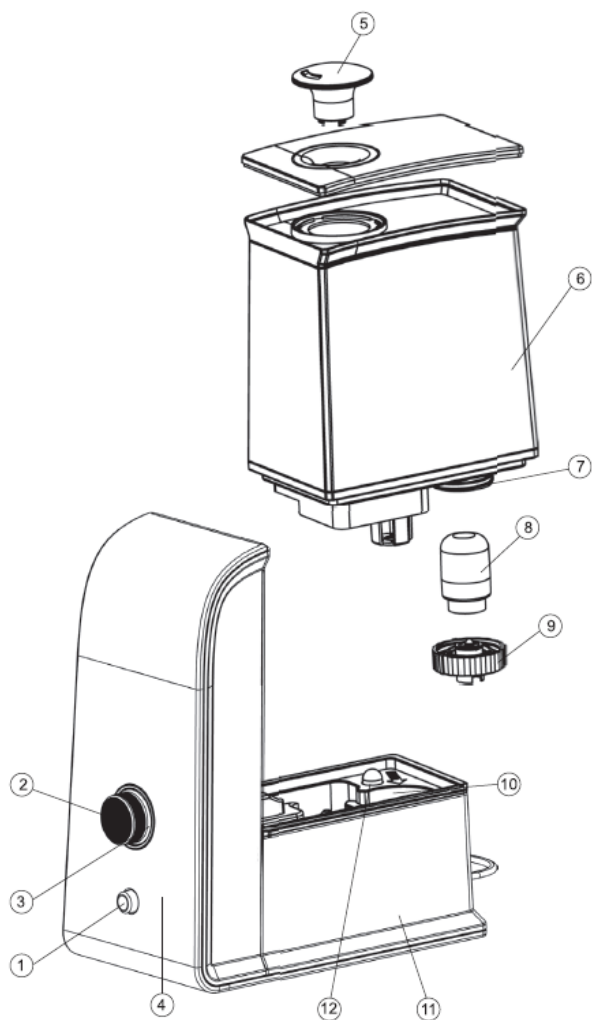
IMPORTANT: Afin de réduire le risque d'incendie, de choc électrique ou de blessures lors de l'utilisation d'appareils électriques, veuillez respecter les conseils de sécurité ci-dessous:

Gardez soigneusement ce mode d'emploi!

Conseils de sécurité

- Branchez et utilisez l'appareil uniquement selon les consignes dans ce mode d'emploi et sur la plaque signalétique.
- Utilisez uniquement l'humidificateur si le câble et l'appareil ne présentent pas de dégâts! Vérifier avant chaque utilisation.
- Placez le câble de manière à ce que l'appareil ne puisse pas être renversé.
- Cet appareil ne doit pas être manipulé par des enfants ou des personnes à capacité mentale limitée ou manquant de connaissance, à part s'ils sont surveillés par des personnes responsable pour leur sécurité ou s'ils ont reçu des consignes à propos de la manipulation de l'appareil. Assurez-vous que les enfants ne jouent pas avec l'appareil.
- Ne pas placer l'appareil en plein soleil ou dans des endroits avec de hautes températures.
- Ne pas placer l'appareil près de sources de chaleur comme les fourneaux ou les radiateurs.
- Débranchez après chaque utilisation ou en cas de problèmes.
- Ne pas arracher le câble de raccordement. Ne pas le frotter sur des rebords et ne pas le coincer.
- Eteignez tous les réglages avant de débrancher l'humidificateur.
- Assurez-vous que l'appareil est raccordé correctement à une prise mise à la terre.
- Eteignez l'appareil quand vous ne l'utilisez pas.
- Les réparations doivent être effectuées par un spécialiste. En cas de dégâts causés par une réparation incorrecte, la garantie prend fin.
- Evitez d'approcher le câble de surfaces chaudes.
- Ne jamais utiliser l'appareil lorsque le câble ou la prise de raccordement sont endommagés. Les pièces endommagées doivent être réparées par un spécialiste.
- Lorsque vous tirez la prise, tirez bien sur le connecteur et pas sur le câble.
- Ne pas toucher la ligne de connexion avec les mains humides.
- Ne pas laisser l'appareil sans surveillance lorsqu'il est enclenché.
- Ne pas garder l'appareil à l'extérieur ou dans un endroit humide.
- Ne pas mettre l'appareil sous l'eau.
- Ne pas bloquer la sortie d'air. Ne pas placer d'objets sur l'appareil.
- Ne pas utiliser d'additifs d'eau (huiles essentielles, parfum, produits détergents). Le matériel supporte mal les additifs.
- Eteignez toujours l'appareil lorsque le réservoir est vide ou lorsque vous n'utilisez pas l'appareil. Si vous n'utilisez pas l'humidificateur durant une longue période, tirez la prise et nettoyez l'appareil.
- N'utilisez jamais l'appareil après un dysfonctionnement, par exemple s'il est tombé ou a été endommagé d'une autre manière. Le fabricant n'assume aucune responsabilité en cas de mauvaise utilisation causé par non prise en compte de ce mode d'emploi. Afin d'éviter toute mise en danger, seul le service client doit effectuer les réparations nécessaires.
- L'appareil ne doit pas être utilisé avec une minuterie ou un système de téléconduite séparé!
- Si vous constatez des odeurs anormales, éteignez l'appareil et contactez le service client.
- L'ouverture de la ventilation ne doit jamais être dirigée vers des appareils électriques ou des prises.
- Les ultrasons ne peuvent pas être entendus par l'être humain ou les animaux et sont totalement inoffensifs.

Illustration humidificateur d'air CA-602



1. Ioniseur On / Off – Lumière
2. Interrupteur (bouton marche/arrêt)
3. Lumière LED
4. Boitier avant
5. Pulvérisateur
6. Reservoir
7. Ouverture pour remplir le réservoir
8. Filtre ceramique permanent / Filtre nano argent
9. Bouchon du résevoir
10. Bassin d'eau
11. Boitier latéral
12. Indicateur LED bleu / Indicateur rouge réserve

Aromathérapie

Important

Afin de profiter au maximum et d'optimiser votre humidificateur d'air **CLEAN AIR OPTIMA**, nous vous recommandons de respecter les instructions suivantes relatives à l'utilisation d'huiles essentielles (également appelées huiles essentielles) dans votre humidificateur d'air.

Utilisation des huiles essentielles CLEAN AIR OPTIMA dans votre appareil CLEAN AIR OPTIMA CA-602

En utilisant les huiles essentielles dans votre appareil CA-602 vous profiter d'une aromathérapie personnalisée : Des senteurs vous enveloppent à l'infini.

Dans le cadre de l'aromathérapie seules les huiles essentielles de **CLEAN AIR OPTIMA** conviennent à l'humidificateur à ultrasons CA-602:



| | |
|------------|------|
| Eucalyptus | 10ml |
| Vanille | 10ml |
| Lavende | 10ml |
| Jasmin | 10ml |
| Citron | 10ml |
| Rozemarin | 10ml |

Commander :

FR: <https://www.cleanairoptima.fr/productslist/aromatherapie/>

Fonctionnement

Les huiles essentielles, ou étheriques, sont volatiles et s'évaporent donc dans l'air. Grâce à sa technique d'ultrasons l'humidificateur d'air **CA-602 de Clean Air Optima** propage rapidement les huiles essentielles dans l'air.

Les huiles essentielles sont vaporisées dans l'air grâce à une membrane microfine vibrante et propagées dans l'air grâce à un ventilateur, sans avoir recours à une source de chaleur.

Comment remplir votre appareil d'huiles essentielles:



Eteignez l'appareil et débranchez le. Retirer le couvercle au dessus de l'appareil et verser 5 à 10 gouttes de votre huile essentielle Clean Air Optima préférée. Afin de rajouter de l'huile il suffit juste de verser quelques gouttes dans l'ouverture de l'appareil.

Attention! L'utilisation d'autres huiles essentielles ou additifs peuvent endommager l'humidificateur (par exemple des huiles étheriques pures ou produits de nettoyage prévus pour l'eau). Une quantité minime pourrait endommager les matériaux, ceux-ci n'étant pas prévus à cet effet. Une goutte est suffisante pour endommager le réservoir et le bassin et rendre l'appareil inutilisable. Les appareils ayant été soumis à ces huiles ne seront pas couverts par la garantie.

L'humidificateur d'air de **Clean Air Optima CA-602** est pourvu d'un filtre en céramique / nanosilver **permanent et réutilisable**. Le filtre ne doit pas être échangé et peut être nettoyé facilement. Le filtre est composé d'un cylindre avec des petites boules en plastique et en céramique. Les boules en plastique contiennent du nanosilver et réduisent la croissance bactérienne dans l'eau.

Le fond du réservoir et du bassin contiennent aussi du nanosilver, ce qui réduit la formation de bactéries. Les boules en céramique fournissent de la vapeur d'eau hygiénique et pure, détartrent et éliminent les odeurs. Le filtre doit être nettoyé au moins une fois par semaine ou après 1.000 heures de fonctionnement. Voir passage **Nettoyage** pour plus de consignes.



Mise en service de l'appareil

L'appareil sert uniquement à l'humidification de l'air à l'intérieur.

Placez l'appareil sur une surface ferme, plane et étanche, à 60 cm du sol et à 20 cm du mur. Ne pas placer l'appareil sur vos meubles. Pour remplir le réservoir, enlevez le pulvérisateur et ouvrez le couvercle à vis sur le dessous du réservoir.

Remplissez d'eau froide (pas d'eau chaude car cela peut conduire à des fuites). Si l'eau contient beaucoup de calcaire, utilisez de l'eau distillée ou de l'eau bouillie. Ne pas verser de substances chimiques, des dissolvants ou autres. Bien revisser le couvercle. Replacez le réservoir sur la partie inférieure et remettez aussi en place le pulvérisateur. Veillez à ce que le réservoir soit bien installé pour que l'appareil puisse fonctionner de manière adéquate.

Branchez la prise.

Appuyer sur le bouton "**ON/OFF**" sur l'arrière de l'appareil. Grâce à des vibrations de haute fréquence, l'eau est transformée en vapeur microfine qui est ensuite diffusée dans l'air par un ventilateur silencieux et s'évapore directement. Veillez à ce que la vapeur qui s'échappe ne soit pas orientée vers des prises, murs ou autres objets.

L'air qui s'échappe est enrichi d'ions négatifs.
De plus, l'ioniseur intégré purifie et rafraîchit l'air avec des ions négatifs d'oxygène.

Nombre d'ions par centimètre cube d'air:

En altitude 8000 ions / cm³
A la mer 4000 ions / cm³
Dans le pays 1200 ions / cm³
En ville 200 ions / cm³
Seulement 20 ions / cm³ au bureau

Quand il n'y a pas ou pas assez d'eau dans le réservoir vous entendez un signal.
De plus, l'hygromètre annonce l'humidité relative de l'air (%HR).

Avec le bouton "**MIN/MAX**" vous pouvez changer la vitesse du ventilateur et donc la quantité d'eau vaporisée.

Humidité de l'air

Le pourcentage de vapeur d'eau dans la pièce d'habitation et la température de l'air constituent l'humidité relative de l'air. L'air contient plus ou moins d'humidité. Le rapport entre la vapeur d'eau et l'air varie selon la température. Plus la température est élevée, moins il y a de vapeur d'eau dans l'air.

En hiver l'air froid vient de l'extérieur et devient plus chaud grâce à la température ambiante. L'humidité relative de l'air diminue. L'humidité de l'air peut être augmentée avec un humidificateur de Clean Air Optima.

L'humidité relative de l'air devrait être:

Salon et chambre à coucher 45-60%
Chambre de malade 40-50%
Bibliothèques 40-50%

Nettoyage

Si vous utilisez de l'eau contenant beaucoup de calcaire, des dépôts de calcaire se formeront sur le fond du réservoir, dans le bassin et sur la surface de la membrane ultrason (transducteur). Lorsque la membrane est entartrée, l'appareil ne peut pas fonctionner comme il faut.

Lorsque vous n'utilisez pas l'appareil pour quelque temps, par exemple dans les mois d'été ou lorsque l'appareil est très entartré, procédez de la manière suivante:

Retirez la prise et videz l'eau du réservoir et du bassin en dévissant le capot du réservoir. Seulement revisser le bouchon du réservoir si vous avez besoin de l'appareil, sinon laissez aérer.

Essuyez les résidus de calcaire sur le bassin, le transducteur et le réservoir. Veillez à ce que le transducteur au centre du bassin ne soit pas endommagé.

Nettoyage transducteur et bassin

1. Laissez couler 5-10 gouttes de vinaigre sur la surface du transducteur et du bassin, attendez 2-5 minutes.
2. Nettoyez le transducteur et le bassin prudemment avec une petite brosse, un bâtonnet ouaté, un pinceau ou un chiffon. Attention! Ne pas peser trop fort sur le transducteur afin d'éviter des dégâts. Ne jamais utiliser les objets pointus ou durs pour le nettoyage.
3. Lavez le bassin avec de l'eau propre. Attention! Ne pas tremper l'appareil entier sous l'eau, laissez seulement couler de l'eau dans le bassin, car sinon l'appareil peut être endommagé.

Nettoyage filtre en céramique / nanosilver

1. Enlevez le filtre du réservoir.
2. Remplissez un verre à moitié de vinaigre. Placez le filtre pour 10 minutes dans le verre à vinaigre.
3. Sortez le filtre du verre et secouez le filtre à plusieurs reprises.
4. Lavez le filtre avec de l'eau propre.



Données techniques:

- **Clean Air Optima CA-602: Humidificateur d'air pour pièces d'habitation, chambre à coucher, bureau**
- Humidifie, purifie, rafraichit et améliore la qualité de l'air dans les pièces intérieures
- 2-en-1: Humidification et purification de l'air
- Filtre en céramique et nanosilver avec durée de vie permanente. Pas besoin d'échanger les filtres!
- Technologie: Ultrason avec vaporisation froide
 - Ioniseur intégré pour la purification de l'air
 - Hygrostate mécanique
 - Bouton tournant pour régler l'humidité ambiante
- Performance d'humidification: environ 120 ml/h jusqu'à 300 ml/h
- Temps de fonctionnement: 30 heures / 3 nuits par remplissage (réglage performance minimale)
- Ions négatifs: 3.000.000/cm³
- Oxygène actif: < 0,05 ppm
- Taille des chambres: idéal pour les pièces jusqu'à 35m² / 80m³
- Charge de connexion: max. 38 Watt
- Tension électrique: 220 – 240V, 50 / 60 Hz
- Filtre en céramique / nanosilver produit de la vapeur d'eau pure et hygiénique
- Pas besoin de racheter de filtre
- Très silencieux <25dB
- Réservoir d'eau amovible: oui
- Contenu récipient d'eau: 3,5 litres
- Couleur: blanc avec réservoir transparent
- Dimensions: 25 x 27 x 26 cm
- Poids: 2,8kg sec
- Longueur du câble: 145 cm

Usage & Entretien

Utilisez de l'eau froide ou distillée.

Nettoyez l'élément vibrant, le réservoir d'eau et le récipient une fois par semaine.

Ajoutez régulièrement de l'eau fraîche.

Si vous n'utilisez pas l'appareil pour quelque temps nettoyez le minutieusement et laissez bien sécher toutes les pièces.

Indications pour la protection de l'environnement

A la fin de sa durée de service, ce produit ne doit pas être jeté dans les déchets ménagers, mais doit être apporté à un point de rassemblement pour le recyclage d'appareils électriques et électroniques. Le symbole sur le produit, le mode d'emploi et l'emballage vous l'indiquent.

Les matériaux sont réutilisables selon les indications. Par la réutilisation, le recyclage des matériaux et les autres formes de réutilisation d'anciens appareils vous contribuez à la protection de l'environnement. Demandez auprès de votre administration communale où se trouve le site d'élimination et qui est responsable.



Bon de garantie

Article:

Client:

Lieu:

Code postal:

Numéro de commande:

Magasin:

Date d'achat:

Durée de garantie:

Votre décision d'acheter un purificateur d'air de **Clean Air Optima** vous rend propriétaire d'un produit de haute qualité.

Selon la législation européenne de garantie modifiée le 01 janvier 2002, vous avez droit à une période de garantie de 2 ans.

2 ans de garantie:

1. Tous les composants des purificateurs d'air de Clean Air Optima sont soumis à et passent par un contrôle de qualité sévère avant qu'ils quittent la fabrique. En tant que client vous pouvez recourir à une réparation gratuite ou un substitut pour des pièces défectueuses durant deux ans à partir de la date d'achat, pour autant que notre entreprise est sûre que le dysfonctionnement ou la panne sont apparus lors d'utilisation normale et n'ont pas été causés par une intervention extérieure.
2. L'on ne peut pas recourir à cette garantie lorsque les dommages ont été causés par une manipulation inappropriée, par l'ouverture inadéquate du boîtier ou manipulation irrespectueuse du mode d'emploi, par un apport d'énergie incorrect, par des dégâts des eaux ou d'autres facteurs extérieurs.
3. Gardez le bon de garantie et la facture pour pouvoir faire recours à la garantie.

La réclamation de garantie doit être adressée à :

E-Mail: info@cleanairoptima.fr

Fax: 3.89.60.89.01

Envoyez la marchandise suffisamment affranchie avec le bon de garantie rempli, une copie de la facture et une brève description de la défectuosité à l'adresse suivante :

Clean Air Service / ALTES

Service clientèle

4 rue des Bonnes Gens

68100 MULHOUSE

Nous acceptons uniquement des livraisons suffisamment affranchies. Pour le renvoi de produits, veuillez utiliser l'emballage original ou alors un emballage solide de taille semblable.